

OFFICE OF THE NOTIFIED AREA COUNCIL, NILGIRI

PH-06782-233259

e-mail-ID : nilgirinac.balasore@gmail.com

Letter No: 2255

Date: 07/12/21

QUOTATION CALL NOTICE

The Executive Officer, Nilgiri Nac on behalf of Notified Area Council, Nilgiri invites sealed quotation from reputed Advertising Agencies /firms/contractors for supplying and fixing up the "JAGA MISSION HOARDINGS" in different prominent places in slum areas under Nilgiri Nac as per the following scheduled work. The intending Firm/Agency may quote their rate as per specification given below.

Sl no	Size and specification to affix	Hoarding frame	Frame Cover Specification	Unit Rate () without GST	GST	Total Rate () with GST
1	Height :- 20ft Length :- 10ft x6ft	Frame height to be maintained at 20 ft ,(The vinyl sticker to be placed 10ft above the base/ground) Frame material (i.e. 4ft inside earth,10 ft vacant,6ft VSP and the total stand is 20 ft by MS Angle 50/5 and MS Grid Angle 35/5+25/5 Iron frame (size) -10ftX6ft Metal sheet (size)- 10ftX6ft Vinyl Sticker Pasted (Size)- 10ft X 6 ft Length of the Rod – 20ft(6ft+10ft+4ft) Print Material – 3M Eco vinyl with mat lamination GI Material Sheet – 20mm thick Colour- Aluminium color, The design of the VSP is attached with this for more clarification .	Green color ACP sheet – 10ftx6ft ACP sheet Border Height- 3in ACP sheet outside Depth- 5in ACP sheet inside Depth- 3in			

The sealed quotation enclosing the self attested photo copy of GST registration and PAN card will be received upto 01.00 PM on dated 07.12.2021 in the tender box kept in the office of the Executive Officer, Nilgiri which will be opened at 3.30 PM on the same date 07.12.2021 in the office chamber of the undersigned in presence of the Quotationer/bidder/or authorized representative /agent who may be present at the time of opening of the quotations.

The authority reserves the right to reject any or all the quotation without assigning any reason thereof.


Executive Officer
Nilgiri Nac

Memo No 2256 /Dt. 01/12/21

Copy submitted to the PD DRDA- cum-PD DUDA, Balasore,/Sub -Collector Nilgiri/PH Division, Nilgiri/Electric Division Nilgiri/Tahasildar, Nilgiri/D.I.P.R.O. Balasore for information with a request to display the quotation call Notice in their respective Notice Board for wide publication.


Executive Officer
Nilgiri NAC

Memo No 2257 /Dt. 01/12/21

Copy submitted to Office Notice Board ,Nilgiri For wide Publication .


Executive Officer
Nilgiri NAC

Memo No 2258 /Dt. 01/12/21

Copy to the MIS , Nilgiri for for information. She is requested to upload the Quotation Call Notice in the Official website of Nilgiri NAC .


Executive Officer
Nilgiri NAC

Memo No 2259 /Dt. 01/12/21

Copy submitted to the District Informatics Officer, Balasore . He is requested to upload the Quotation Call Notice in the Official website of Balasore District www.balasore.nic.in from 01.12.2021 to 07.12.2021 for wide publication. .


Executive Officer
Nilgiri NAC

Memo No 2260 /Dt. 01/12/21

Copy forwarded to all members of Tender Committee ,Nilgiri for information and necessary action.


Executive Officer
Nilgiri NAC

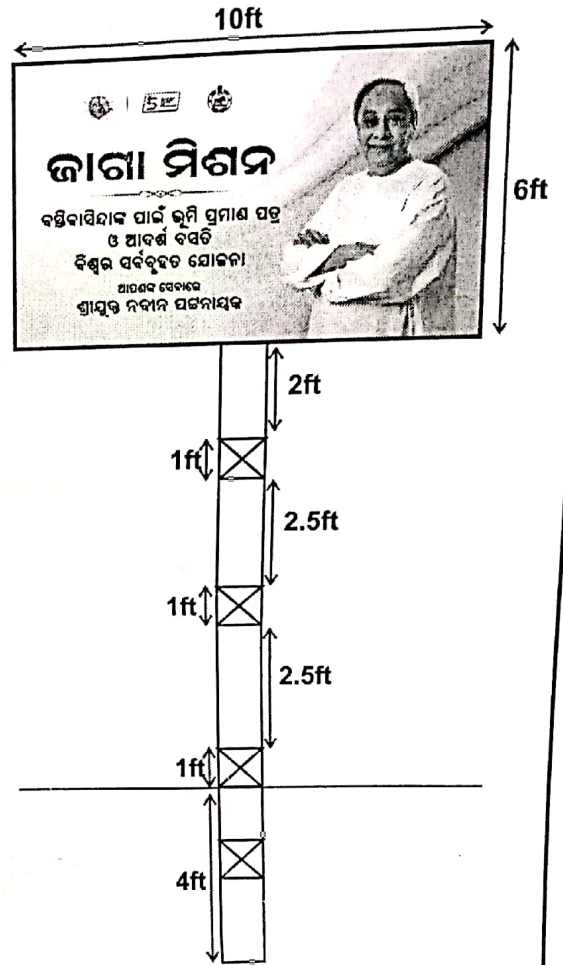
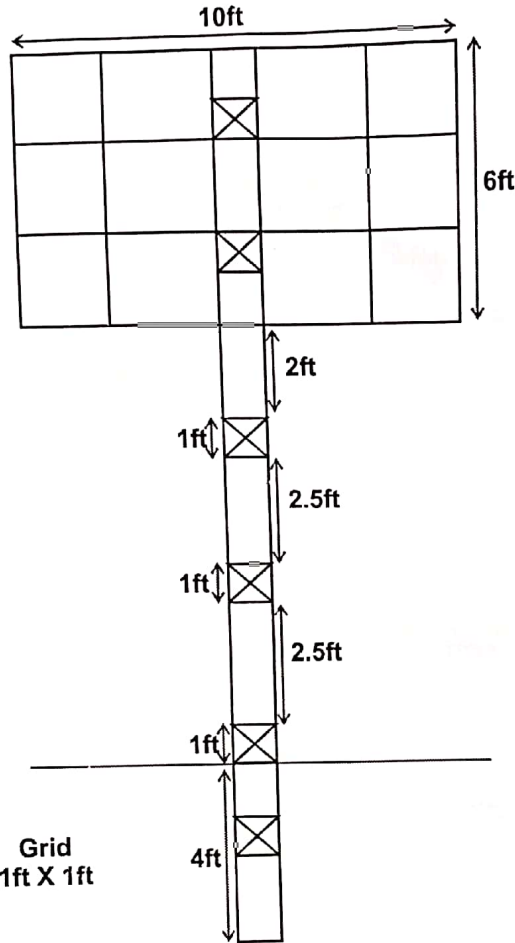
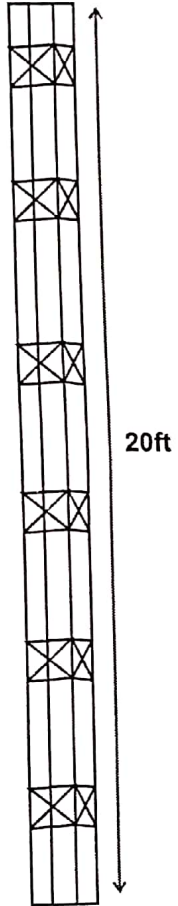
Memo No 2261 /Dt. 01/12/21

Copy submitted to Collector and District Magistrate ,Balasore for favour of kind information.


Executive Officer
Nilgiri NAC

Outdoor Branding (Signage Structure Design)

Pillar 3D Structure



PILLAR

Iron frame (Size) - 10ft X 6ft

Metal Sheet (Size) - 10ft X 6ft

Vinyl Sticker Pasted (Size) - 10ft X 6ft

Length of Rod (Size) - 20ft(6ft+10ft+4ft)

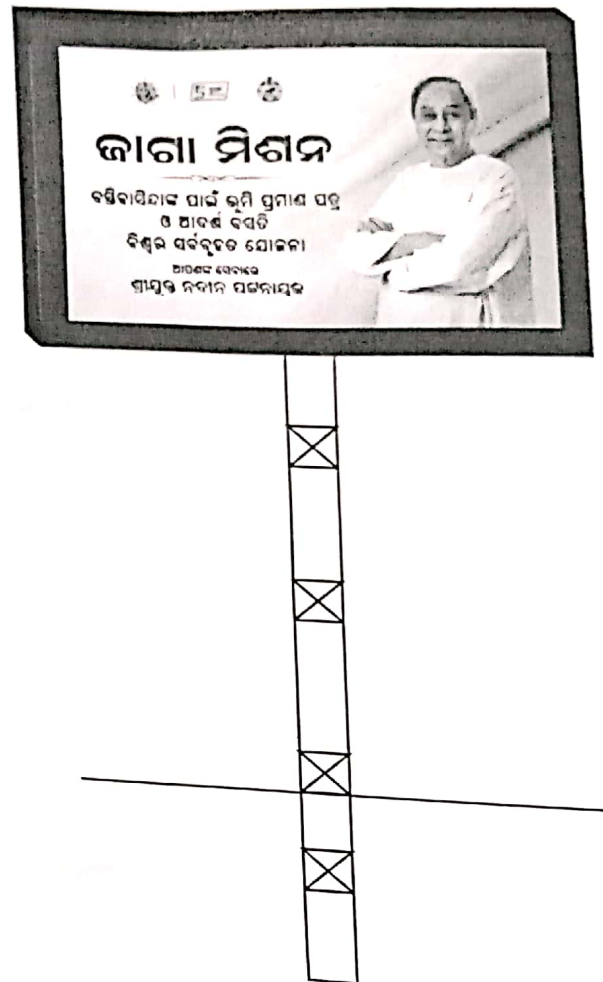
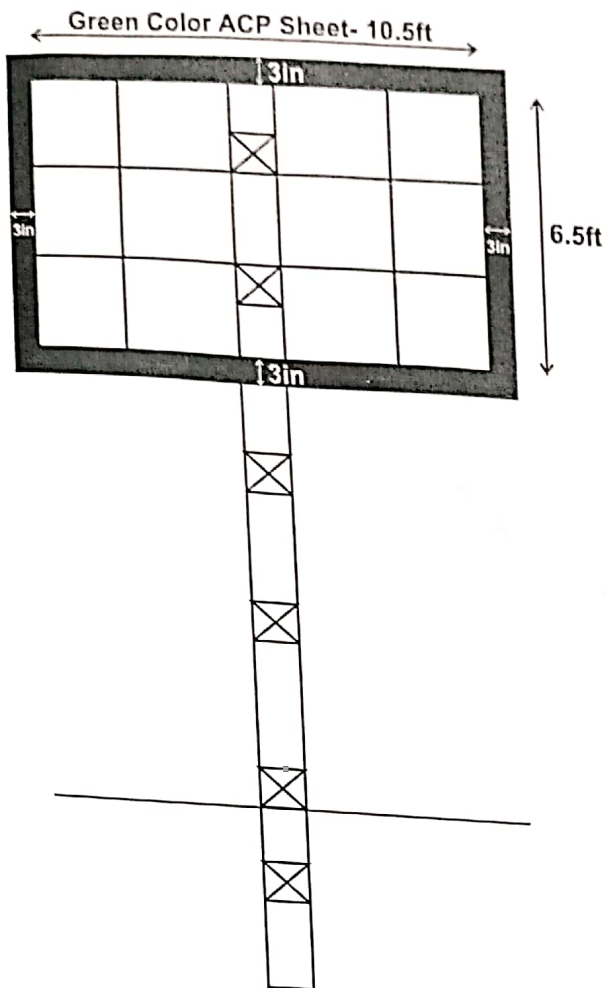
MS Angle - 50/5

MS Grid Angle - 35/5 + 25/5

Print Material - 3M Eco Vinyl with mat lamination

GI Material Sheet - 20mm thick, Color-Alumium Color

Frame Cover Specification



- Green Color ACP Sheet- 10.5ft X 6.5ft
- ACP Sheet Border Height - 3in
- ACP Sheet Outside Depth - 5in
- ACP Sheet inside Depth - 3in

